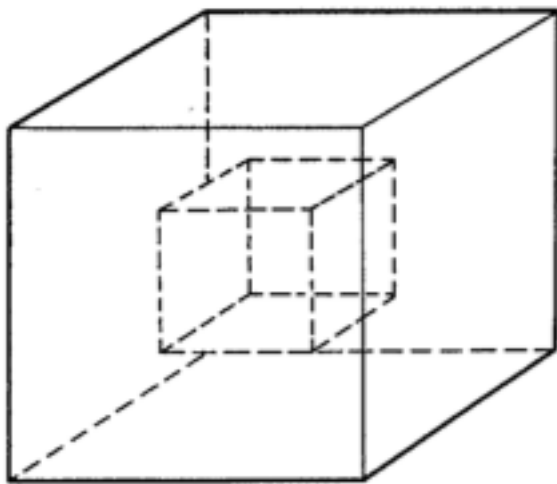


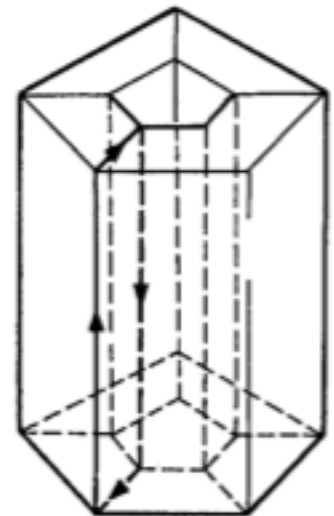
Figure 1.1



A cube with a smaller cube removed from its interior

Figure 1.2

Figure 1.3



A prism with a hole straight through the centre

From "Basic Topology," by M.A. Armstrong

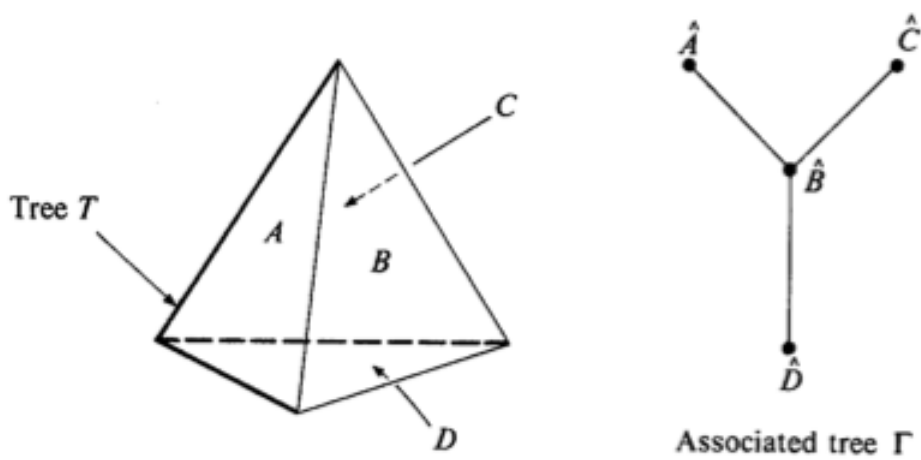
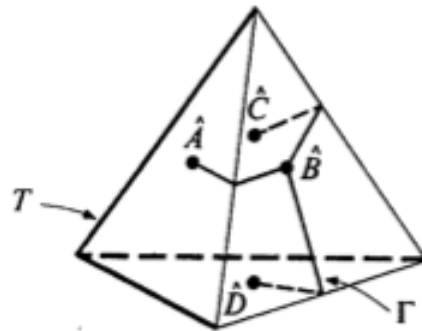


Figure 1.5



Γ represented on P

T and Γ thickened on P

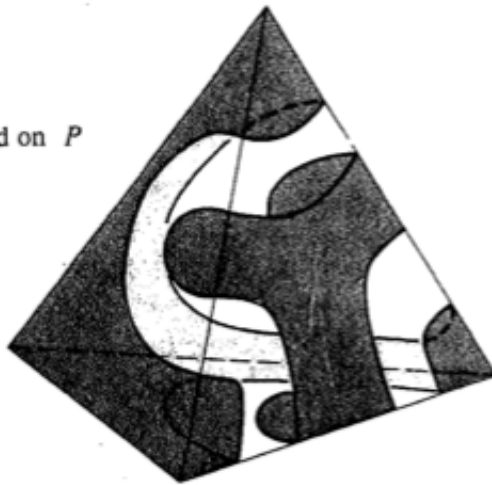


Figure 1.6

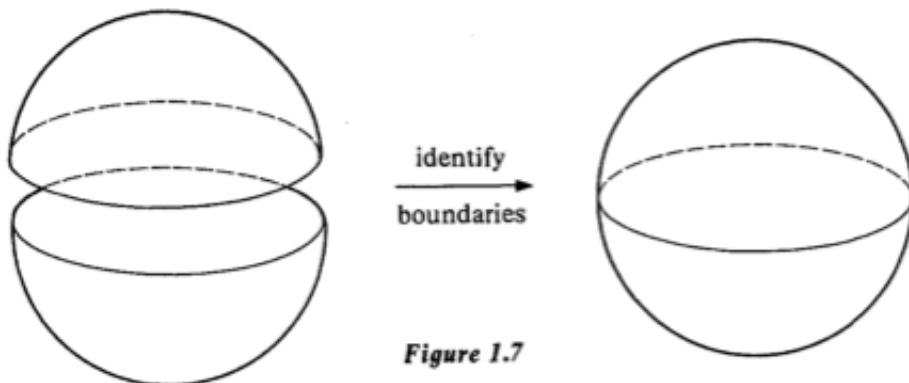


Figure 1.7

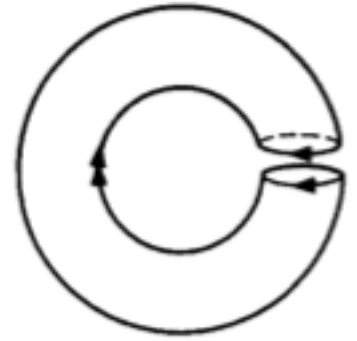
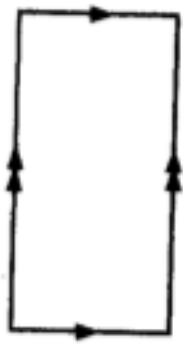


Figure 1.11

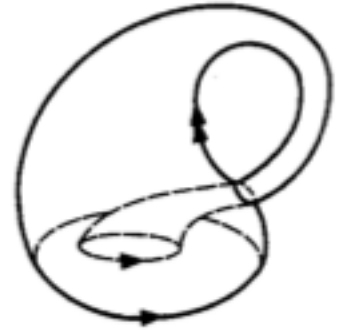
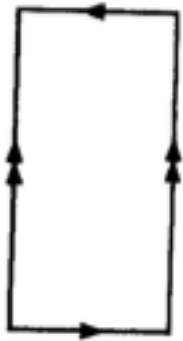
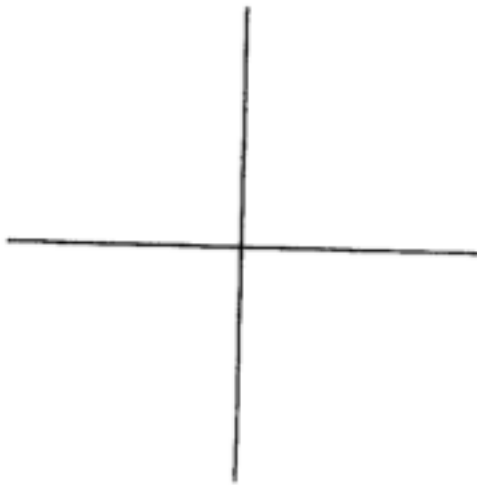
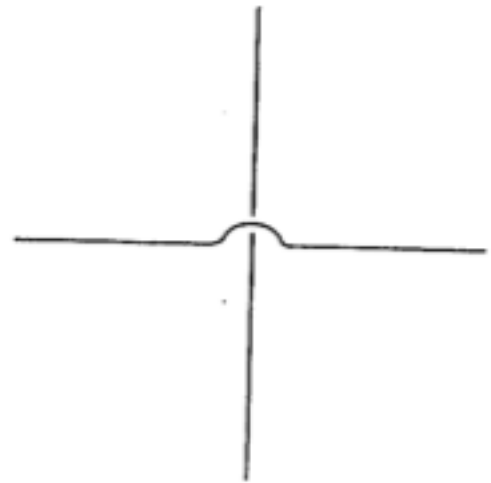


Figure 1.12



(a)



(b)

Figure 1.13

From "Basic Topology," by M.A. Armstrong